

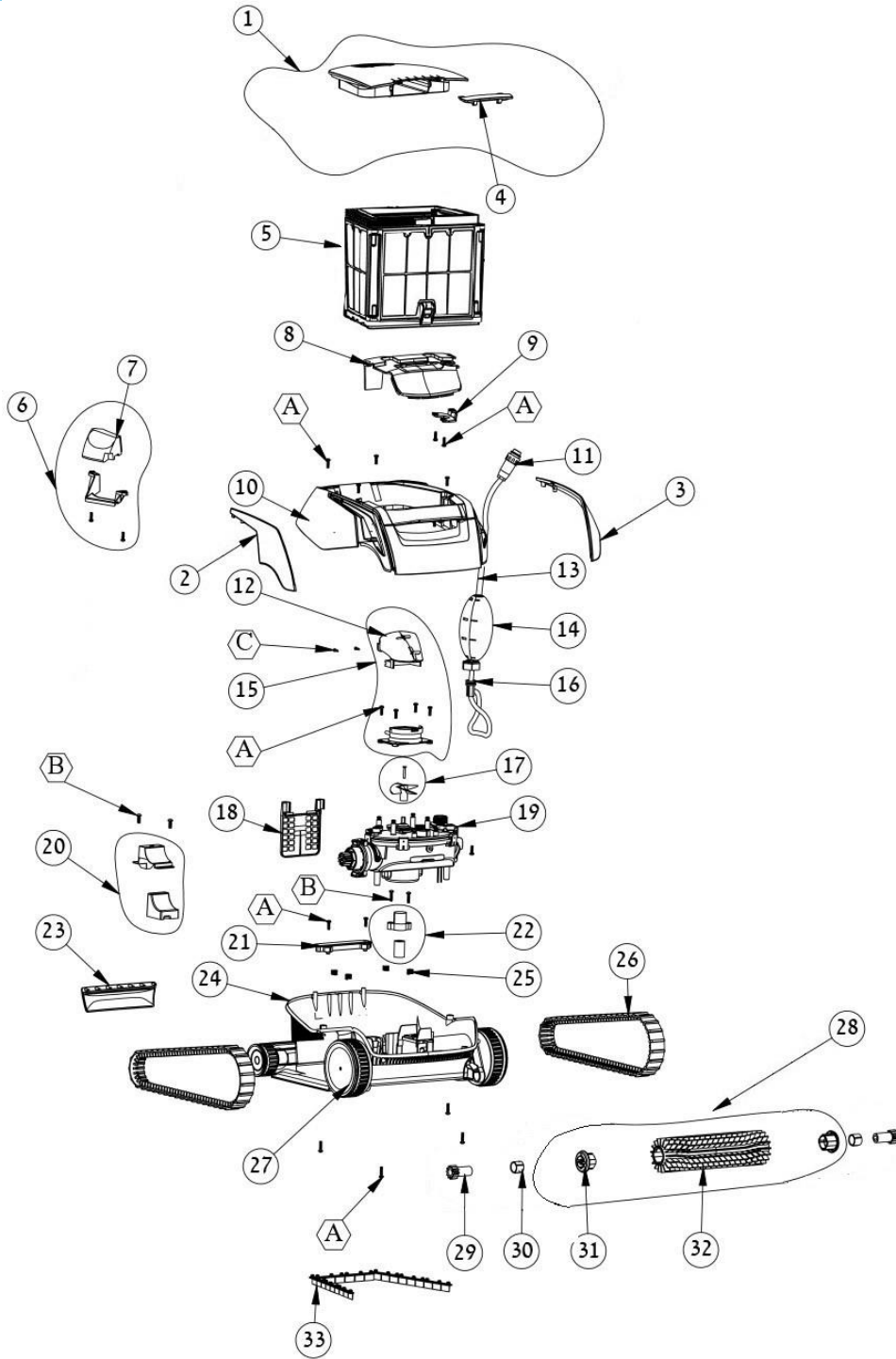
**DOLPHIN E20**

| Item #      | Item Number          | Description                      |
|-------------|----------------------|----------------------------------|
| <b>001</b>  | <b>Kit Options</b>   |                                  |
| . 001.01    | <b>99956032-ASSY</b> | PS BASIC 230V                    |
| . 001.01.01 | 9983204              | CORK FOR DC IN PWS S300i         |
| . 001.03    | 5898411LF            | CABLE SWITCHING POWER SUPPLY EU  |
| 01          | 99952136-ASSY        | FILTER COVER E20 ASSY            |
| 02          | 99830712             | SIDE COVER E20 R ORANGE          |
| 03          | 99830722             | SIDE COVER E20 L ORANGE          |
| 04          | 99830772             | FILTER COVER LATCH GREY          |
| <b>05</b>   | <b>Kit Options</b>   |                                  |
| . 05.01     | 9991459-ASSY         | SPRING FILTER ASSY M1            |
| . 05.01B    | 9991482-ASSY         | ULTRA-FINE FILTER BASKET THICK   |
| . 05.02     | 9983027              | FILTER HANDEL KNOB               |
| . 05.03     | 3917029              | FILTER HANDLE SPRING M2/M2i      |
| . 05.04     | 9983004              | FILTER HANDLE M1                 |
| . 05.05     | 9983037              | FILTER FRAME TOP                 |
| . 05.06     | 9991468-ASSY         | SPRING FILTERS KIT M1            |
| . 05.07     | 9983025              | NON RETURN VALVE FOR M1 FILTER   |
| . 05.08     | 3917014              | BOTTOM LID SPRING                |
| . 05.09     | 9983026              | FILTER HOLDER                    |
| . 05.10     | 9983036              | FILTER FRAME BOTTOM              |
| . 05.11     | 9983010              | FILTER DOOR 2 + O.M              |
| . 05.12     | 9991466-ASSY         | CARTRIDGE FILTERS KIT S100       |
| . 05.A      | 3303008-A            | SCREW KA30X8 WN1412 A2           |
| . 05.B      | 3379410-A            | SCREW WN1412 A2 KA40X10          |
| 06          | 9991750              | FLOAT+HOUSING FOR E20            |
| 07          | 6250960              | UPPER FLOAT S100                 |
| 08          | 99830742             | DIY COVER E20 BLACK              |
| 09          | 99830782             | GROMMET LID E20 BLACK            |
| 10          | 99952132-ASSY        | OUTER CASING E20 ASSY            |
| 11          | 5000009              | AMPHENOL PLUG                    |
| 12          | 9991740              | WATER TUBE FOR M1 L+R ASSY       |
| 13          | 9995884-DIY          | CABLE DIAG M1 15M DIY            |
| <b>14</b>   | <b>99960081</b>      | FLOAT ASSY D.BASIC FLOAT BLUE    |
| 15          | 9991742              | WATER TUBE + IMPELLER SHIELD ASS |
| <b>16</b>   | <b>9991271</b>       | RETROFIT FOR CABLE CON. 2015     |
| . 16.01     | 9985048              | CABLE CONN.THREE PIN             |
| . 16.02     | 1811404              | CABLE CONNECTOR                  |
| . 16.03     | 9985027              | PLASTIC WASHER 7MM X 2MM         |
| . 16.04     | 3861002              | RK RING FOR CABLE CONN.          |
| . 16.05     | 9980025              | GLANDE WASHER 13MM               |
| . 16.06     | 9980797              | NUT FOR MBU TERMINAL 2015        |
| 17          | 9995266              | BLACK IMPELLER+SCREW DC          |
| 18          | 9983087              | M1 MBU SHIELD                    |
| <b>19</b>   | <b>Kit Options</b>   |                                  |
| . 19.01     | 5588902              | IMPELLER MOTOR HOLDER 2          |
| . 19.02     | 9983155              | COVER FOR PUMP MOTOR BOX+M1      |

**DOLPHIN E20**

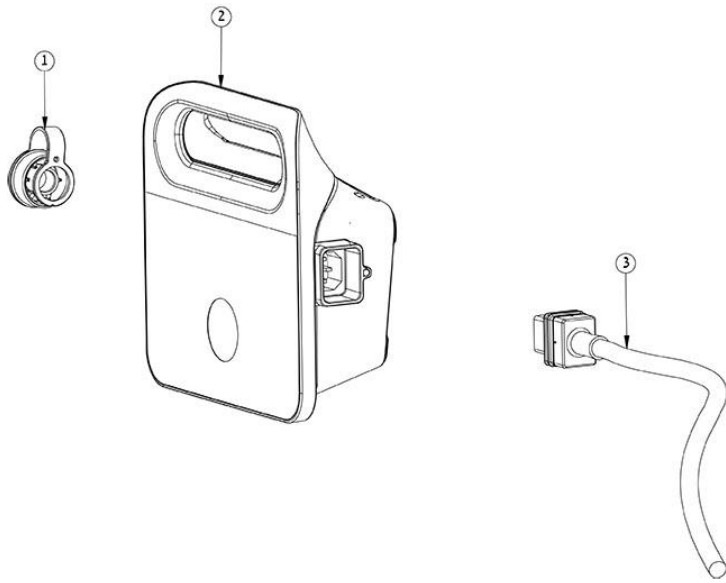
| Item #    | Item Number        | Description                      |
|-----------|--------------------|----------------------------------|
| . 19.03   | 3861644            | O-RING 164x4 N70                 |
| . 19.04   | 3862503            | SEAL ORING 25X3 I.M              |
| . 19.05   | 5583323            | SEAL ORING 32X3                  |
| . 19.06   | 9991211-ASSY       | IMPELLER MOTOR S300 ASSY         |
| . 19.07   | 9983151            | PCB HOLDER S300                  |
| . 19.08   | 9995003            | ELECT. CARD M1 ASSY              |
| . 19.09   | 9983180            | FRONT CLIPS FOR MBU S300         |
| . 19.10   | 9991210-ASSY       | DRIVE MOTOR S300 ASSY            |
| . 19.10A  | 9983142            | GEAR Z12 FOR DRIVE MOTOR         |
| . 19.11   | 3862474            | ORING 47X4mm                     |
| . 19.12   | 9983166            | CLIPS FOR MBU CABLE              |
| . 19.14   | 9983140            | CLIP FOR MBU                     |
| . 19.15   | 9983138            | MOTOR UNIT CASING S100           |
| . 19.16   | 5890051LF          | CABLE MBU 2010                   |
| . 19.A    | 3374012-A          | SCREW KA 40X12                   |
| . 19.MU1  | 9995386-ASSY       | MU S100 ASSY                     |
| . 19.MU2  | 9995386-EX         | MU S100/E20 EX                   |
| 20        | 9991747            | BOTTOM FLOAT+HOUSING FOR S100    |
| 21        | 9983079            | OUTER CASING ADAPTOR E20         |
| 22        | 9991746-ASSY       | INNER WEIGHT FOR M1 CHASSIS ASSY |
| 23        | 9983024            | QUICK WATER RELEASE              |
| <b>24</b> | <b>9991752</b>     | CHASSIS ASSEMBLY M1C             |
| 25        | 3917022            | SPRING FOR FILTER S LINE         |
| 26        | 9983152            | TRACK S GREY                     |
| <b>27</b> | <b>Kit Options</b> |                                  |
| . 27.01   | 99830142           | LARGE WHEEL COVER L.GREY         |
| . 27.02   | 9983013            | ACTIVE BRUSH BRACKET -L          |
| . 27.03   | 99831112           | FRONT WHEEL                      |
| . 27.04   | 99831212           | WHEEL DISK L.GREY                |
| . 27.05   | 9983114            | WHEEL BUSHING 2                  |
| . 27.06   | 9983012            | ACTIVE BRUSH BRACKET -R          |
| . 27.07   | 3726283            | BYPASS AND WHEEL WEIGHT FOR M1   |
| . 27.08   | 99830162           | WHEEL PLUG L.GREY                |
| . 27.09   | 99830152           | SMALL WHEEL L.GREY               |
| . 27.A    | 3379616-A          | SCREW KA50X16 WN1412             |
| 28        | 9995544-ASSY       | ACTIVE BRUSH E10 GREY ASSY       |
| 29        | 9983018            | GEAR Z12 FOR ACTIVE BRUSH M1     |
| 30        | 9983042            | ACTIVE BRUSH BUSHING M1          |
| 31        | 9983017            | ACTIVE BRUSH ADAPTOR FOR M1      |
| 32        | 9983122            | GREY BRUSH FOR ACTIVE BRUSH      |
| 33        | 9991732            | VACUUM STRIPS KIT OF 10          |
| A         | 3379616-A          | SCREW KA50X16 WN1412             |
| B         | 3379440-A          | SCREW KA50X12 A2 WN1412          |

DOLPHIN E20

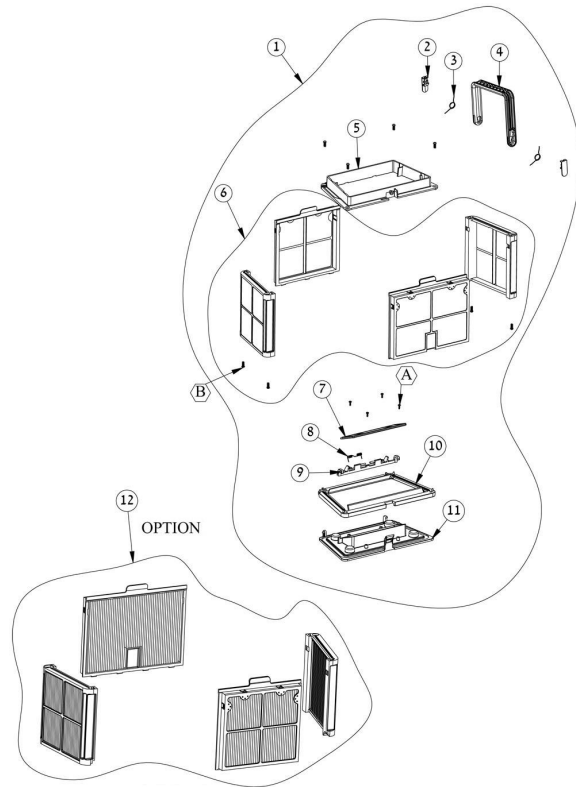


**DOLPHIN E20**

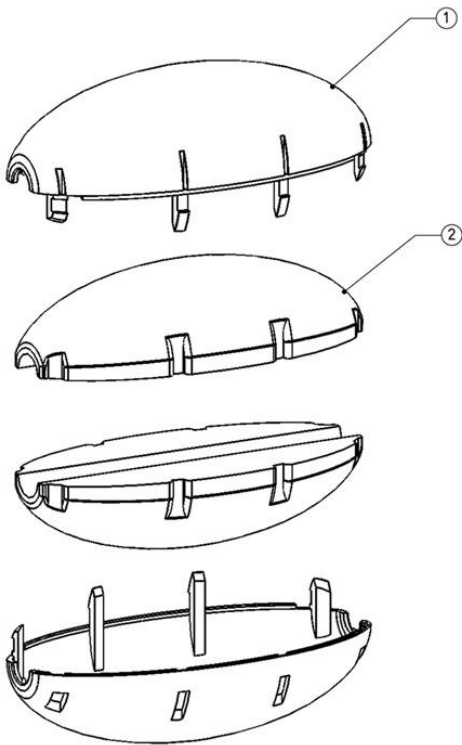
**#01 (ps basic 230v)**



**#05 (filters s100 - catalog kit)**

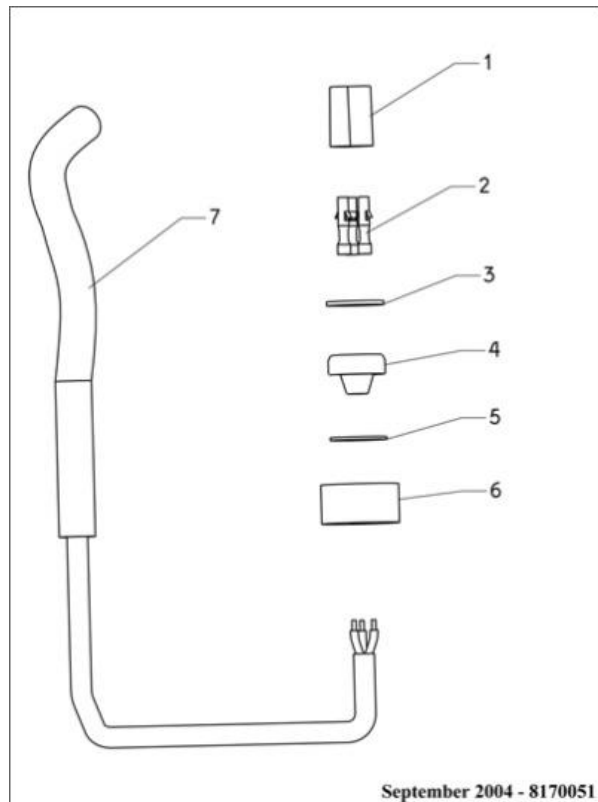


**#14 (float assy d.basic float blue)**



November 2005 - P/No 8170070

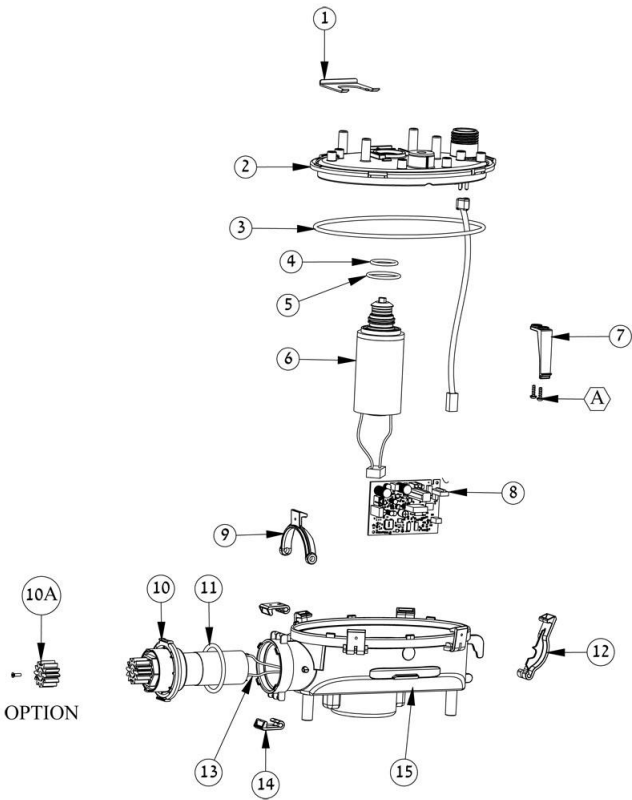
**#16 (retrofit for cable con. 2015)**



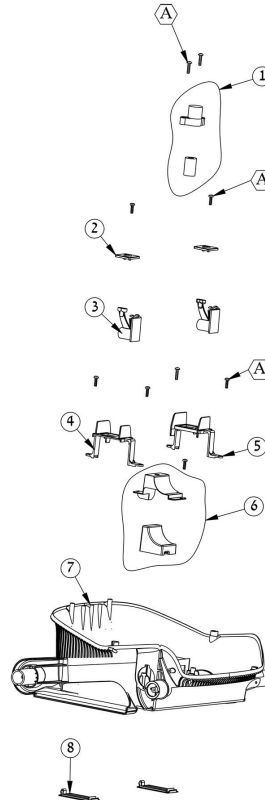
September 2004 - 8170051

DOLPHIN E20

#19 (motor unit catalog kit s100)



#24 (chassis assembly m1c)



#27 (izzy climb drive sys cat. kit)

